

RUN TIME

EVERGREEN PACKAGING
PARTS AND SERVICE

ASK AN ENGINEER

EH-3 CIP Solenoid Valve Manifold Protection

Issue: Reports of electrical / internal corrosion in the EH-3 16-station CIP Solenoid Valve Manifold 5561301. This is located under the filler table below the Line 1 peroxide drying chamber. Steam is possibly getting inside the solenoid valve manifold, damaging the internal electrical wiring..

Product Tank Vent Sterile Air Piping from EH-3 CIP Schematic



IN THIS ISSUE

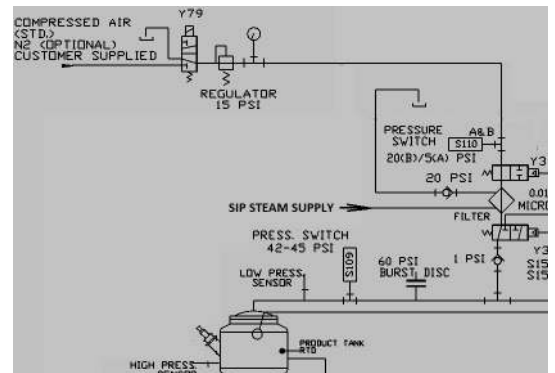
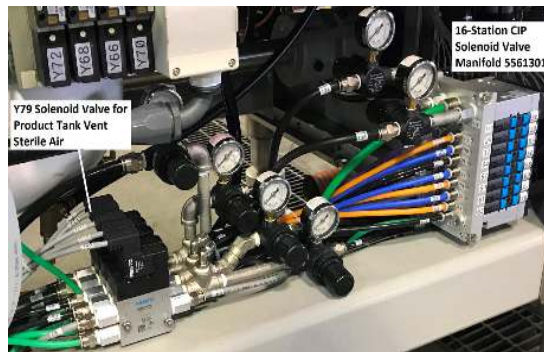
Ask An Engineer
1

Surplus/Obsolete
Parts Discounts
2

Competitor Pricing
2

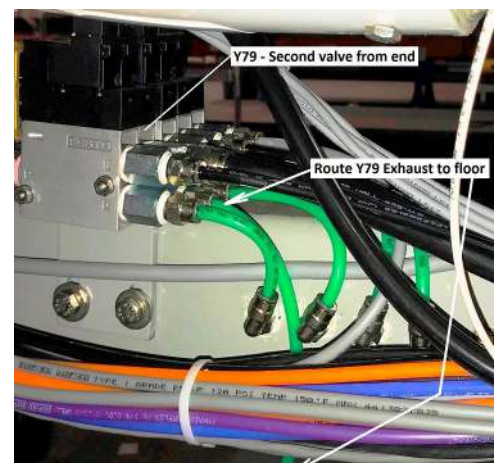
EH-3 CIP Chemical
Injection Pump
Relocation Kits
3

Install Thermocouples
Correctly to Avoid
Premature Failures
4



We recommend checking the Y79 exhaust connection and make sure it is routed to the floor as shown.

During SIP Sterilization, one possible way for steam to reach this valve manifold is from back flowing through the Product Tank Vent Sterile Air piping through a leaky valve Y37B. If steam backflows into solenoid valve Y79, it should exhaust to the floor. However, there is a possibility the 1/4" poly exhaust tube from Y79 may have inadvertently been connected to the lower frame exhaust tube. If so, any leaking steam could then backflow through the exhaust connections into the 16-station CIP Solenoid Valve Manifold.



Cont'd on page 4



The *Run Time* is the newsletter of the Evergreen Packaging Equipment Sales Services Department. Its purpose is to provide customers with Evergreen Packaging gable top parts and service information. The newsletter is not intended as legal, financial or other professional advice. Copyright © 2020 Evergreen Packaging LLC.

Editor: Rodney Anderson
 rodney.anderson@everpack.com
 Phone: 319-399-3481 or 800-553-5981
 Fax: 319-399-3388 or 800-553-5986
 Evergreen Packaging Equipment
 PO Box 3000
 2400 Sixth Street SW
 Cedar Rapids IA 52406

We welcome comments and suggestions. Please send all mailing address changes to the editor.

Evergreen Packaging Equipment is proud to be ISO 9001:2008 certified. We are dedicated to quality and continuous improvement.

PARTS DISCOUNTS

Surplus/Obsolete Discounts

Take advantage of these huge discounts on overstocked parts. The part numbers and prices in **red** may have been further reduced from previous discounts. To order, make sure you ask for the surplus/obsolete price. Stock is limited to the quantities shown, so order now!

| Part no. | Description | Model | Qty | List price | DISCOUNT PRICE |
|----------|------------------------------------|---------------------|-------|------------|----------------|
| 2201466 | Pivot Bar | Quart | 3 | \$1,657 | \$950 |
| 3057428 | Mandrel Condensate Kit | Quart | 1 | \$4,473 | \$1,900 |
| 3058379 | Clutch Kit | N8 SN1534-1583 | 2 | \$5,055 | \$3,200 |
| 3058477 | Spout Welder Rebuild Kit | EH3 SN5600-5626 | 1 | \$12,300 | \$8,500 |
| 3058557 | Bottom Folder Major Rebuild Kit | N8 | 1 | \$13,950 | \$9,500 |
| 3111334 | Quart Mandrel | EQ4, Q11, Q14 | 3 | \$8,710 | \$2,950 |
| 3151620 | Tie Rod | H5, H90 | 11 | \$367 | \$195 |
| 3153070 | Line Hookup for CIP | Quart | 24 | \$250 | \$195 |
| 3153457 | Metering Bowl Subassembly | N5, NEP170 | 2 | \$3,352 | \$1,500 |
| 3159505 | Stationary Block - Dater | Quart | 3 | \$1,112 | \$750 |
| 3281842 | Air Cylinder Assembly | EH | 6 | \$2,878 | \$2,250 |
| 3284768 | Carton Stop Subassembly | EH | 12 | \$1,323 | \$950 |
| 3481731 | Elevator Subassembly | EQ5 | 1 | \$4,573 | \$1,950 |
| 3482905 | Bearing Adapter | EQ5 | 3 | \$1,028 | \$750 |
| 3483081 | Infeed Drive Shaft Assembly | EQ5 | 1 | \$13,080 | \$4,400 |
| 3493668 | Infeed Support Assembly | N8 | 1 | \$10,990 | \$4,900 |
| 3990530 | CPU A-B 5/03 | EQ4, EQ5, N8, Spout | 1 | \$5,520 | \$2,500 |
| 5513982 | Temperature Controller | Q11, QPC12 | 4 | \$1,336 | \$1,000 |
| 5517385 | Horn, VE2 Quart Spout | H9, EH2, EQ5 | 1 | \$3,928 | \$1,500 |
| 5540845 | O-Ring Silicone (-022) 1/16 X 1 ID | Various | 1,470 | \$5.70 | \$1.95 |
| 6511076 | Generator-Ultrasonic 1700 Watt | SM Spout | 5 | \$16,880 | \$6,000 |
| 7053695 | Mandrel Hub Stainless Steel | N5, QPC11 | 2 | \$4,809 | \$3,900 |
| 7055415 | Inlet Valve | N5, N7 | 8 | \$600 | \$375 |
| 9030065 | 3/8ODX.032 HH Copper | Various | 922 | \$33/FT | \$15/FT |

EPE NEWS

Let Us Try to Meet or Beat Competitors' Prices

Evergreen is committed to offering quality parts at competitive prices. So when a customer sends us a quote from another parts supplier, we review the list for opportunities to meet or beat their prices.

If we are fairly certain the parts being offered by the competitor are not manufactured to the same high standard as our OEM parts are, we may not be able to meet the competitor's price. So in those "apples to oranges" comparisons, we

will consider at least reducing our price when it makes sense to do so.

If you have a parts quote from a competitor that you would like Evergreen to review for pricing, please send the quote to evergreenparts@everpack.com. You must forward the actual prices emailed to you from the competitor, or attach the quote on the competitor's letterhead.

Evergreen is making it easier for you to always choose genuine OEM parts.

SERVICE TIP

EH-3 CIP Chemical Injection Pump Relocation Kit

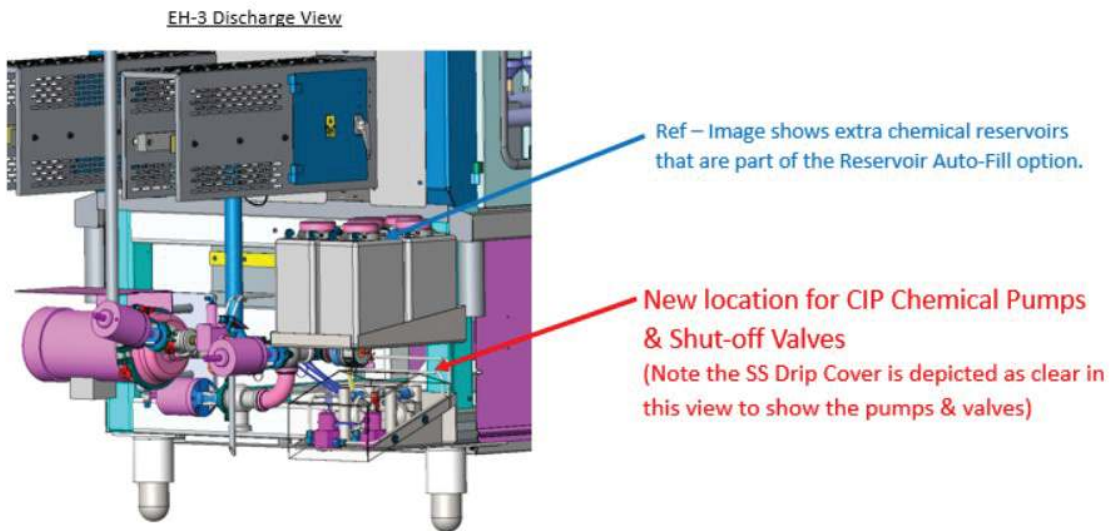
Until recently, the EH-3 CIP Alkali and Acid chemical injection pumps and shut-off valves have been located under the filler table on the Line 1 side below the top sealer module. If any of these components starts leaking, it can go unnoticed and start corroding the filler frame. Beginning with EH-3 SN5690 & up, these pumps and shut-off valves are relocated to the Line 2 discharge as shown.

For older EH-3's SN5600-5689, Evergreen has created two update kits for relocating these items.

3288821 is a complete kit including new stainless steel mounting bracket and drip cover, longer nylon air lines, and mounting hardware. The kit also includes stainless steel lines and compression fittings for the chemical injection pressure lines instead of the yellow PVC tubing. The pump suction lines, however, remain yellow PVC tubing. This kit includes new chemical injection pumps and shutoff valves.

3288825 is a lower cost basic kit that does not include new chemical pumps and shutoff valves, so the existing pumps and valves are relocated.

- Clete Kreher
Production Engineering Manager



EVERGREENPACKAGING is a global leader in beverage packaging systems, serving the dairy, juice, specialty, and other liquid food markets. The Evergreen Packaging business employs nearly 4,100 people worldwide. Besides the North American facilities, Evergreen Packaging includes wholly owned subsidiaries in China, South Korea and Taiwan, and joint ventures in Israel, Latin America, North Africa and Saudi Arabia.

Evergreen Packaging is owned by Reynolds Group Holdings Ltd, an investment company that also owns Reynolds Packaging, Pactiv Corporation, Closure Systems International and Graham Packaging.

The Evergreen Packaging product line includes:

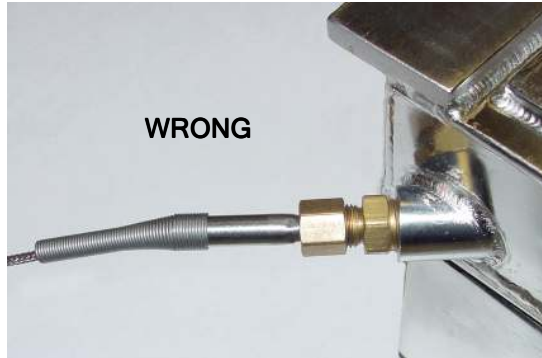
- Gable top packaging equipment—which forms, fills, and seals paper gable top cartons—available for pasteurized, ESL (Extended Shelf Life), ELL (Extended Long Life), and hot fill applications. These machines fill cartons from 4 oz. up to half-gallon (150 ml up to 2 liter), at speeds from 30 to 340 cartons per minute.
- SPOUT-PAK® twist-off closures for most gable top cartons.
- Gable top materials available through our global network of converting plants.

SERVICE TIP

Install Thermocouples Correctly to Avoid Premature Failures

Sometimes customers report that their Evergreen thermocouples type K, PN 5517434, have failed or have a short life.

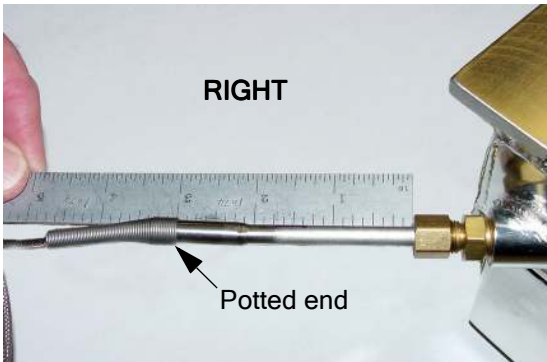
After inspecting some failed thermocouples, the manufacturer has stated that those failures were caused by the thermocouples being inserted too deeply into the oven housings. The thermocouple should be inserted into the fitting nut so the “potted” end is two to three inches out from the fitting nut or sleeve.



In other words, don't insert the thermocouple completely into the housing up to the potted end.

When the thermocouple is inserted too far, the potting material within the potted end gets too hot and expands, which in turn can cause the wires to stretch or break and the thermocouple to fail.

If you have further questions about thermocouple installation, call the Evergreen Technical Support Team at 319-399-3300.



Every part you purchase from EVERGREEN PACKAGING EQUIPMENT is backed by our:

- Commitment to quality.
- Technical Service Team (TST) of engineers to answer your questions.
- Team of knowledgeable sales coordinators to make sure you get the part you need, when you need it.
- Emergency parts and service availability 24 hours a day, 7 days a week.
- Experienced field service technicians available to maintain your filler in peak operational condition.
- Six-month warranty.

TO ORDER PARTS:

Email: evergreenparts@everpack.com
 Phone: 319-399-3399 or 800-553-5981
 Fax: 319-774-2194 or 800-553-5986

TO REQUEST SERVICE:

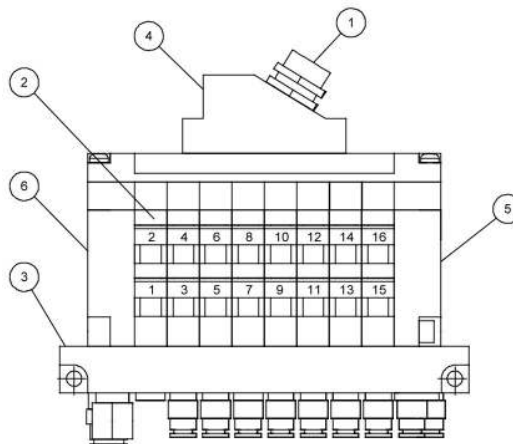
TEHCNICIAN OR TECHNICAL SUPPORT OR TRAINING
 Phone: 800-331-6083

ASK AN ENGINEER (CONT'D FROM PAGE 1)

Replacement Parts for 16-Station CIP Solenoid Valve Manifold 5561301

Note that Item 4 is the Electrical Interface and it may be possible to repair a damaged valve manifold by replacing it.

| Item | P/N | Qty | Description |
|------|---------|-----|----------------------------------|
| 1 | 5561774 | 1 | Cable & Socket |
| 2 | 5561304 | 8 | Valve – Air 3/2 Festo CPV14 |
| 3 | 5562399 | 1 | Special Pneumatic Multi-pin |
| 4 | 3171009 | 1 | Electrical Interface Festo CPV14 |
| 5 | 5562397 | 1 | End Plate Supply, Exhaust |
| 6 | 5562398 | 1 | End Plate Pilot |



ANNOUNCEMENT

The Evergreen Packaging facility will be closed on Friday, July 3 for the 4th of July holiday. On that day, we will ship parts and schedule service on an emergency basis only.

Happy holiday!