



**IN THIS ISSUE**

**EH-3, EQ-70 CIP & H2O2 Reservoir Auto Fill Update Kits**  
1

**N-5 & N-8 Summer Rebuild Kits List**  
2

**Surplus/Obsolete Parts Discounts**  
3

**Improved Spout Cylinders for SM Spout System**  
3

EPE NEWS

## EH-3, EQ-70 CIP & H2O2 Reservoir Auto Fill Update Kits

For several years on new EH-3 & EQ-70 machines, Evergreen has offered optional systems that automatically refill the CIP Alkali & Acid reservoirs and the Hydrogen Peroxide reservoir. This avoids the need for plant personnel to handle these chemicals and manually refill these reservoirs each day.

Evergreen has now created update kits for retrofitting older EH-3's and EQ-70's.

For EH-3 SN5600 & up, there are multiple P/N's 7265611-7265619 for the Hydrogen Peroxide Auto Refill Kits and P/N's 7265620-7265628 for the CIP Alkali & Acid Auto Refill kits based on the specific serial number.

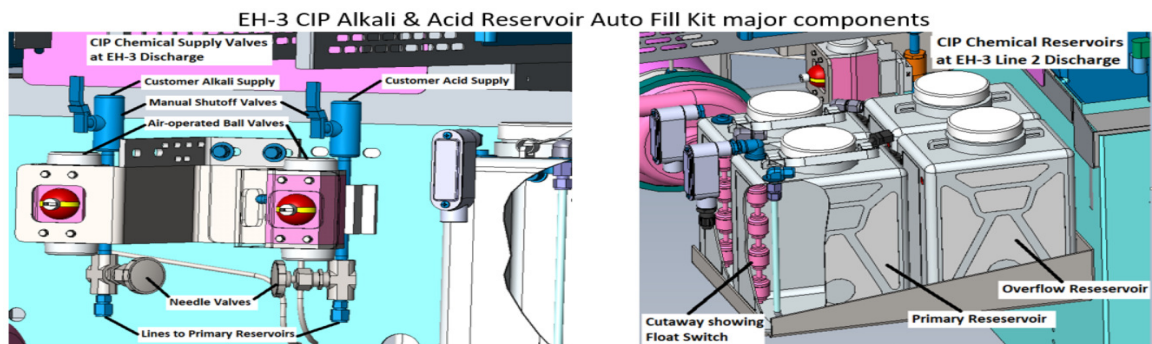
For EQ-70 SN22001 & up, P/N's 7265602-7265604 are for the Hydrogen Peroxide Auto Refill Kits and P/N's 7265605-7265607 for the CIP Alkali & Acid Auto Refill kits based on the specific serial number.

Contact Evergreen Sales Services to get the appropriate kit P/N for your EH-3 and EQ-70.

**Important Note:** A PLC and HMI control program update is required for EH-3's prior to SN5684 and EQ-70's prior to SN22018.

Kits include manual shut-off valves, air-operated ball valves, needle valves (for controlling the flow rate during reservoir filling), primary chemical reservoirs with four-position electronic level float switches, overflow reservoirs, support bracket, pneumatic solenoid valves, piping connections, along with installation hardware.

(cont'd on page 4)



## N-5 & N-8 Summer Rebuild Kit Discounts



The *Run Time* is the newsletter of the Evergreen Packaging Equipment Sales Services Department. Its purpose is to provide customers with Evergreen Packaging gable top parts and service information. The newsletter is not intended as legal, financial or other professional advice. Copyright © 2020 Evergreen Packaging LLC.

Editor: Rodney Anderson  
 rodney.anderson@everpack.com  
 Phone: 319-399-3481 or 800-553-5981  
 Fax: 319-399-3388 or 800-553-5986  
 Evergreen Packaging Equipment  
 PO Box 3000  
 2400 Sixth Street SW  
 Cedar Rapids IA 52406

We welcome comments and suggestions. Please send all mailing address changes to the editor.

Evergreen Packaging Equipment is proud to be ISO 9001:2015 certified. We are dedicated to quality and continuous improvement.

Material	Description	Current list price	10% discount price	Model	Kits per machine
EP3057396	Infeed Drive Pivot Arm Bushings and Washers	\$ 346.90	\$ 312.20	N-5	1
EP3057591	Conveyor Wear Strips SN 475 - 2108	\$ 9,230.00	\$ 8,310.00	N-5	1
EP3057592	Conveyor Wear Strips SN 2109 & up	\$ 5,660.00	\$ 5,090.00	N-5	1
EP3057950	No Carton No Fill Air Cylinder	\$ 234.80	\$ 211.30	N-5	2
EP3057951	No Carton No Fill Air Cylinder (Rubber Goods Only)	\$ 11.30	\$ 10.20	N-5	2
EP3057998	Pump Lever & Rod Rebuild Kit	\$ 474.50	\$ 427.10	N-5	2
EP3058120	Constant Rotation Shaft Rebuild 4 Fill Station	\$ 4,625.00	\$ 4,163.00	N-5	1
EP3058121	Constant Rotation Shaft Rebuild 2 Fill Station	\$ 3,171.00	\$ 2,854.00	N-5	2
EP3058141	Sealer/Dater Rebuild PM SS 1 Round Pin Hole	\$ 35,910.00	\$ 32,320.00	N-5	1
EP3058142	Sealer/Dater Rebuild PM SS 6 Round Pin Hole	\$ 37,900.00	\$ 34,110.00	N-5	1
EP3058143	Sealer/Dater Rebuild PM SS 1 Round Pin Hole/Pcs	\$ 38,590.00	\$ 34,730.00	N-5	1
EP3058144	Sealer/Dater Rebuild PM SS Slot/Slug Hole	\$ 38,200.00	\$ 34,380.00	N-5	1
EP3058175	Water Cooled Guide Rails	\$ 7,610.00	\$ 6,850.00	N-5	1
EP3058305	Top Seal Rebuild N SPM 1 Hole	\$ 35,880.00	\$ 32,290.00	N-5	1
EP3058306	Top Seal Rebuild N SPM 6 Hole	\$ 37,910.00	\$ 34,120.00	N-5	1
EP3058307	Top Seal Rebuild N SPM Plant Code Slug / 1 Hole	\$ 38,290.00	\$ 34,460.00	N-5	1
EP3058308	Top Seal Rebuild N SPM Plant Code Slug / Slot	\$ 38,210.00	\$ 34,390.00	N-5	1
EP3058337	Top Seal Rebuild N SHC w/o Jaws	\$ 14,870.00	\$ 13,380.00	N-5	1
EP3058342	Top Seal Rebuild N SHC Slot	\$ 25,440.00	\$ 22,900.00	N-5	1
EP3058344	Water Cooled Guide Rails	\$ 4,815.00	\$ 4,334.00	N-5	1
EP3115578	Conveyor Chains SN 475 - 2108	\$ 22,580.00	\$ 20,320.00	N-5	1
EP3115579	Conveyor Chains SN 2109 & up	\$ 15,710.00	\$ 14,140.00	N-5	1
EP3058405	N8 Lower Fill Kit (Minor Rebuild)	\$ 9,550.00	\$ 8,600.00	N-8	1
EP3058406	Constant Rotation Shaft Kit	\$ 780.00	\$ 702.00	N-8	1
EP3058507	Outfeed Rebuild Kit	\$ 954.00	\$ 859.00	N-8	1
EP3058508	Top Breaker Rebuild Kit	\$ 2,936.00	\$ 2,642.00	N-8	1
EP3058539	Bottom Seal Rebuild Kit	\$ 3,455.00	\$ 3,110.00	N-8	1
EP3058540	Top Seal Rebuild Kit	\$ 5,760.00	\$ 5,180.00	N-8	1
EP3058543	Infeed Rebuild Kit - SN 1525 - 1533	\$ 11,880.00	\$ 10,690.00	N-8	1
EP3058544	Infeed Rebuild Kit - SN 1534 - 1670	\$ 12,800.00	\$ 11,520.00	N-8	1
EP3058545	Infeed Rebuild Kit - SN 1671 & up	\$ 13,070.00	\$ 11,760.00	N-8	1
EP3058547	Top Seal Kit w New Cylinder - 4 Lines	\$ 7,590.00	\$ 6,830.00	N-8	1
EP3058548	Bottom Folder and Drive Kit	\$ 1,706.00	\$ 1,540.00	N-8	1
EP3058556	Lower Fill Kit (Major Rebuild)	\$ 11,560.00	\$ 10,400.00	N-8	1
EP3058557	Bottom Folder Kit (Major Rebuild)	\$ 13,490.00	\$ 12,140.00	N-8	1
EP3058669	Top Squeezer Spring Kit 4 Lines	\$ 377.30	\$ 339.60	N-8	1
EP3058683	N-8 Top Sealer Jaw - 1 Hole, Ribbed	\$ 1,621.00	\$ 1,459.00	N-8	4
EP3058696	N-8 Refolder - New Blade Shape	\$ 1,568.00	\$ 1,411.00	N-8	1
EP3115969	Conveyor Chain Kit - SN 1525 & up	\$ 38,920.00	\$ 35,030.00	N-8	1
EP3115970	Conveyor Chain Wear Strip Kit	\$ 8,340.00	\$ 7,510.00	N-8	1
EP3493828	Infeed Distribution Block Assembly	\$ 1,430.00	\$ 1,287.00	N-8	1
EP7264042	Top Seal w New Air Cylinder Kit	\$ 1,373.00	\$ 1,236.00	N-8	4
EP7264043	Top Seal w Air Cylinder Repair Kit	\$ 951.00	\$ 856.00	N-8	4
EP7264044	Top Seal w/o Air Cylinder or Rebuild Kit	\$ 740.00	\$ 666.00	N-8	4
EP3058658	Conveyor Chain Kit - SN 1800 & up	\$ 56,760.00	\$ 51,080.00	N-8S	1



## Visit Evergreen's Website for the Latest News and Information

Through Evergreen Packaging's products and processes, we help companies deliver on their promises. Visit [evergreenpackaging.com](http://evergreenpackaging.com) to see how we can assist you with our gable top products, training, and OEM parts and service, as well as the latest issues of the *Run Time* newsletter, trends, and fresh news. The website also provides information about our carton, spout, and paper technology.

Click on our website often to see what's new.

PARTS DISCOUNTS

## Surplus/Obsolete Discounts

Take advantage of these huge discounts on overstocked parts. The part numbers and prices in **red** may have been further reduced from previous discounts. To order, make sure you ask for the surplus/obsolete price. Stock is limited to the quantities shown, so order now!

Part Number	Description	Product Lines	Qty	List Price	Sale Price
EP3055696	ARM - ACTUATOR	H-5, H-6, Q-10	1	\$ 1,620	\$ 1,250
EP3056611	OVEN SIDE	HALF-GALLON	1	\$ 2,553	\$ 1,250
EP3111800	DATER MOUNTING BLOCK	H-5	1	\$ 1,632	\$ 1,400
EP3112916	MOVEABLE SEALER JAW	QUART	1	\$ 2,133	\$ 1,500
EP3112917	STATIONARY SEALER JAW	QUART	1	\$ 3,230	\$ 1,500
EP3115685	H-5, H-90 CONVEYOR CHAIN KIT	H-5, H-90	1	\$24,342	\$ 23,650
EP3116277	DEFLECTOR - NOZZLE	EH	1	\$ 5,277	\$ 4,250
EP3150570	SUCTION BAR ASSY	N-5, N-170	1	\$ 4,449	\$ 3,950
EP3283865	JAW-DATER STATIONARY L1 L2 PM	EH	1	\$ 3,048	\$ 2,100
EP3474286	SQUEEZER PAD ASSY L-1	QUART	1	\$ 1,568	\$ 1,150
EP3611497	LN2 SQUEEZER STATIONARY JAW ASSY	QL-35, Q-70, EQ-70	1	\$ 1,814	\$ 1,650
EP3611851	LN1/LN2 DATER STATIONARY JAW ASSY	QL-35, Q-70, EQ-70	1	\$ 1,494	\$ 950
EP3991220	UNPROGRAMMED INDUSTRIAL PC/DISPLAY	EH-1, EH-2, EH-3, EQ-5, Q-14	2	\$11,155	\$ 5,500
EP5513982	CONTROLLER TEMPERATURE	Q-11, Q-12	1	\$ 1,336	\$ 850
EP5522918	Q-12/Q-14 CONVEYOR CHAIN	Q-12, Q-14	1	\$ 1,673	\$ 950
EP5902642	AIR CYLINDER - QUART BOTTOM SEAL	QUART	1	\$ 1,485	\$ 650
EP5904028	INDEXER/REDUCER	N-7	1	\$41,691	\$ 23,950
EP5905326	PISTON & ROD ASSY FOR 5904039	H-5	1	\$ 2,718	\$ 1,750
EP5907803	PISTON AND ROD ASSY FOR 5907796	Q-70, EQ-70	1	\$ 549	\$ 400
EP7150046	CHAIN ASSEMBLY NEP210A	NEP-210	1	\$ 3,518	\$ 2,500

EPE NEWS

## Improved Cylinders for SM Spout System

Due to the compact nature of the spout system, the cylinder which drives the horn stack is offset and located below the stack itself. If there is any misalignment, this can result in a side load, causing the cylinder to wear out prematurely.

In order to alleviate this issue, an improvement has been made to both the horn and anvil driving cylinders. A second rod has been added to provide support within the cylinder

body. This second rod provides stability, and prevents the piston inside the cylinder from tilting and rubbing on cylinder body.

Due to the rod sticking out, the mounting plate needs to be modified, adding a hole.

Kits are now available for machines with SM style spout systems to upgrade to the new cylinders. (cont'd on page 4)



EVERGREENPACKAGING is a global leader in beverage packaging systems, serving the dairy, juice, specialty, and other liquid food markets. The Evergreen Packaging business employs nearly 4,100 people worldwide. Besides the North American facilities, Evergreen Packaging includes wholly owned subsidiaries in China, South Korea and Taiwan, and joint ventures in Israel, Latin America, North Africa and Saudi Arabia.

Evergreen Packaging is owned by Reynolds Group Holdings Ltd, an investment company that also owns Reynolds Packaging, Pactiv Corporation, Closure Systems International and Graham Packaging.

The Evergreen Packaging product line includes:

- Gable top packaging equipment—which forms, fills, and seals paper gable top cartons—available for pasteurized, ESL (Extended Shelf Life), ELL (Extended Long Life), and hot fill applications. These machines fill cartons from 4 oz. up to half-gallon (150 ml up to 2 liter), at speeds from 30 to 340 cartons per minute.
- SPOUT-PAK® twist-off closures for most gable top cartons.
- Gable top materials available through our global network of converting plants.

EPE NEWS - cont'd from page 1

EQ-70 uses the same components that are located somewhat differently at the machine discharge.

The EH-3 Hydrogen Peroxide kit is similar and is located in the Line 1 utility compartment in the same location as the current H2O2 reservoirs. EQ-70 H2O2 kit is located on the Line 2 swing-out panel under the filler table.

For both the CIP Alkali & Acid systems, the existing reservoirs are replaced with a double set of reservoirs. The primary reservoir is used for supply and the second is added as overflow backup. Similarly for the Hydrogen Peroxide system, the primary reservoir is used for supply and the second for overflow backup.

The primary reservoir on each system has a four-position SS float switch. The middle two positions provide the normal Low & High signals for opening / closing the supply valve. The lowest position (Low-Low) provides an alarm indicating the reservoir is nearly empty and the supply system is malfunctioning. The highest position (High-High) provides an alarm indicating the primary reservoir is about

to run over into the overflow reservoir because the supply system did not shut off properly.

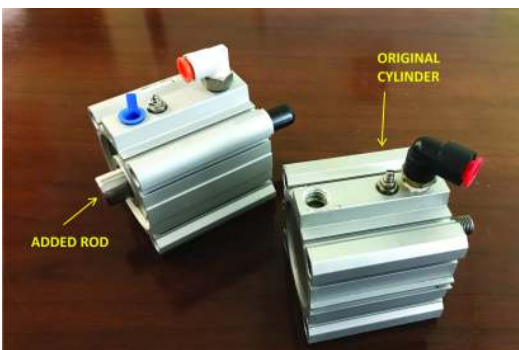
Customer is responsible for providing pumps to send the chemicals to the filler piping connections, and the pressure should not exceed 60psi.

Control Program Features include ability to turn the Auto Fill system On / Off from the Feature screen; CIP Reservoir level Fault icons on CIP screen; H2O2 Reservoir Fault icons on Main Operation screen. Timer screen has setting to limit the number of reservoir refills per CIP cycle. In the event of a malfunction or leak, this prevents continually refilling the system.

If the customer wants to turn on their chemical supply pumps only when the filler chemical reservoirs need refilling, this can be done through the hardwired signals in the customer interface box if spares are available. The other alternative is through Ethernet communication if using that system.

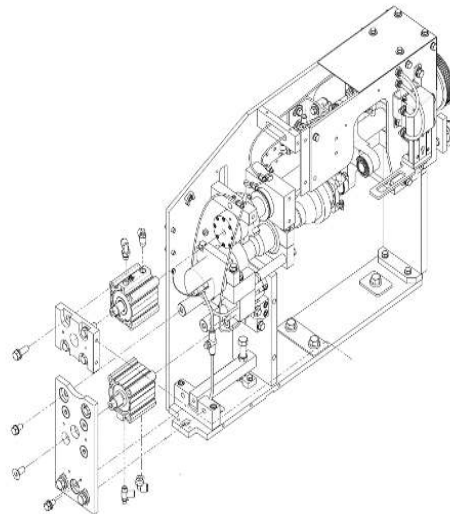
- Clete Kreher  
Manager,  
Production Engineering

EPE NEWS - cont'd from page 3



After the kit has been installed, the old cylinder can still be used, if necessary.

Call Service Parts at (insert number here) to find out cost and availability of kits for your machine.



- Jim Goranson  
N-8/Spout Engineer



Every part you purchase from EVERGREEN PACKAGING EQUIPMENT is backed by our:

- Commitment to quality.
- Technical Service Team (TST) of engineers to answer your questions.
- Team of knowledgeable sales coordinators to make sure you get the part you need, when you need it.
- Emergency parts and service availability 24 hours a day, 7 days a week.
- Experienced field service technicians available to maintain your filler in peak operational condition.
- Six-month warranty.

TO ORDER PARTS:  
Email: evergreenparts@everpack.com  
Phone: 319-399-3399 or 800-553-5981  
Fax: 319-774-2194 or 800-553-5986

TO REQUEST SERVICE:  
TEHCNICIAN OR  
TECHNICAL SUPPORT  
OR TRAINING  
Phone: 800-331-6083

ANNOUNCEMENT

The Evergreen Packaging facility will be closed Monday May 25 for the Memorial Day holiday. On that day, we will ship parts and schedule service on an emergency basis only.